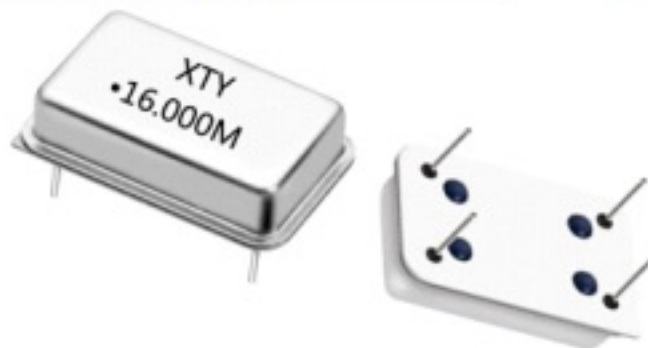


OCXO

(20.4×12.8×7.8mm)

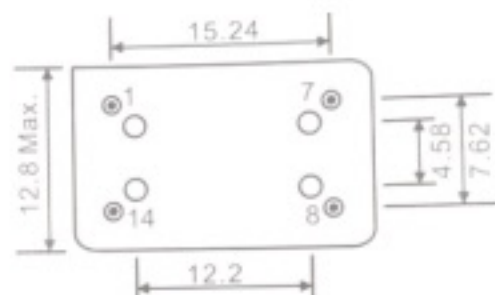
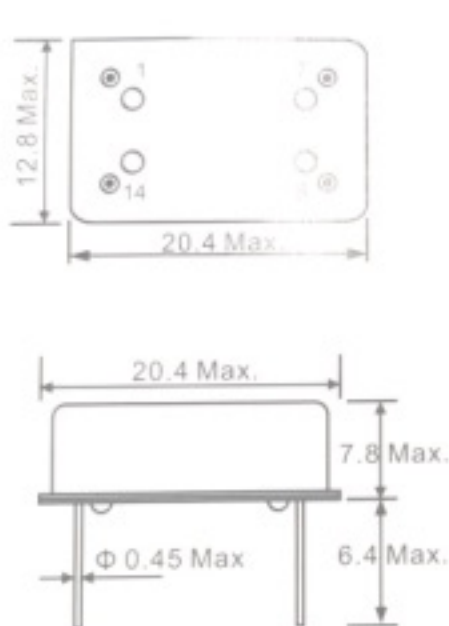


Specifications

Item	OCXO (20.4×12.8×7.8)	
Output Frequency Range	5.0MHz~100.0MHz	
Output Load	15pF	
Output Type	HCMOS	
Supply Voltage	3.3V / 5.0V	
Output Wave Form	Rectangular	
Operating Temperature Range	-20℃~70℃、-40℃~85℃	
Frequency Stability	Frequency Tolerance	±0.2ppm Max
	Vs.Load	±0.2ppm Max
	Vs.Supply Voltage	±50ppb Max
Output Voltage:logic	"O"Level	0.1VDC Max
	"I"Level	0.9VDC Min
Output Duty:Normal	45%~55%	
Spurious	-60dBc	
Phase Noise	Offset 10Hz	-115Bc/Hz
	Offset 100Hz	-140Bc/Hz
	Offset 1KHz	-152Bc/Hz
	Offset 10KHz	-154Bc/Hz
Power Consumption	0.8W Max	
Aging(at 25℃)	±0.5ppm/year Max	

Dimension (mm)

Solder Reflow Profile



PAD Function:
 1: VCON /NC
 7: GND
 8: Out
 14: Vdd (5V/3.3V)

